

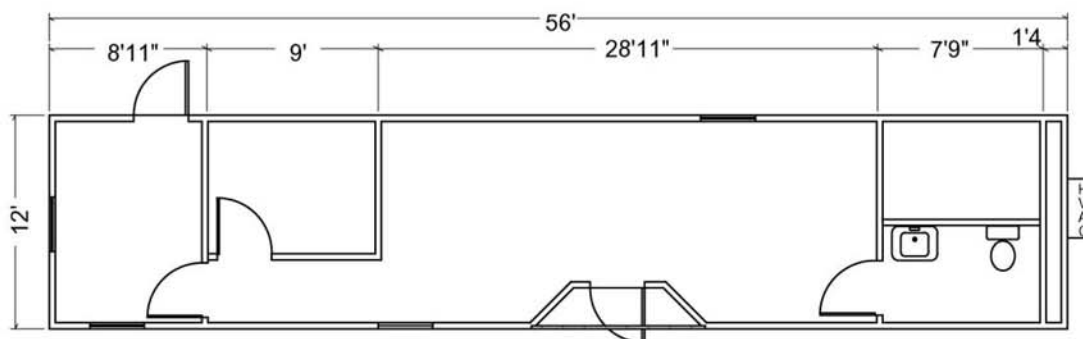
Modular Golf Pro Shops & Club Houses



Barrett Station Driving Range Club House

St. Louis, MO

This 1,440 square foot modular building is used as a club house for the Barrett Station Driving Range. The club house was completed in under 60 days.



Experience You Can Trust - Quality You Demand

When time is of the essence, the quick construction time of modular buildings make them ideal for Golf Club Houses. Pac-Van modular buildings are built from the same durable materials as traditional construction and meet all prevailing state and local codes.



www.pacvan.com

Nationwide **800.586.1295**